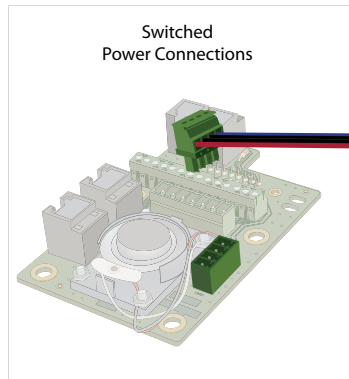
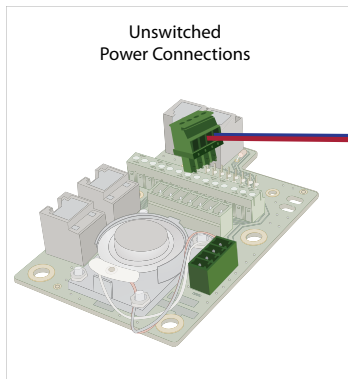
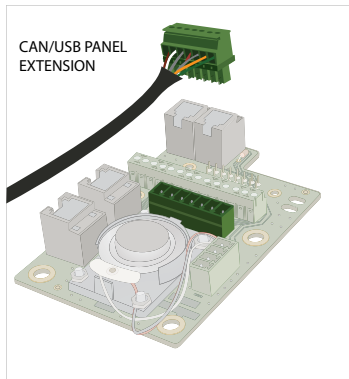
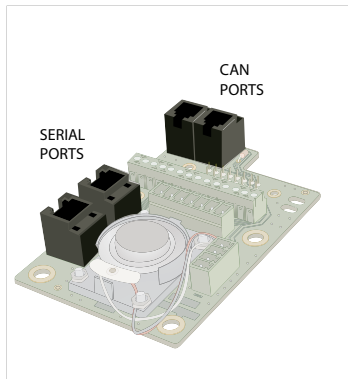


## NEXUS CONNECTIONS



1		
2		
3	BATT+	red
4	BATT-	blue

1	BATT+	red
2	switch	
3	switch	
4	BATT-	blue

## EXTENSION CABLE WIRING DIAGRAM (only used with RAM Mount)

